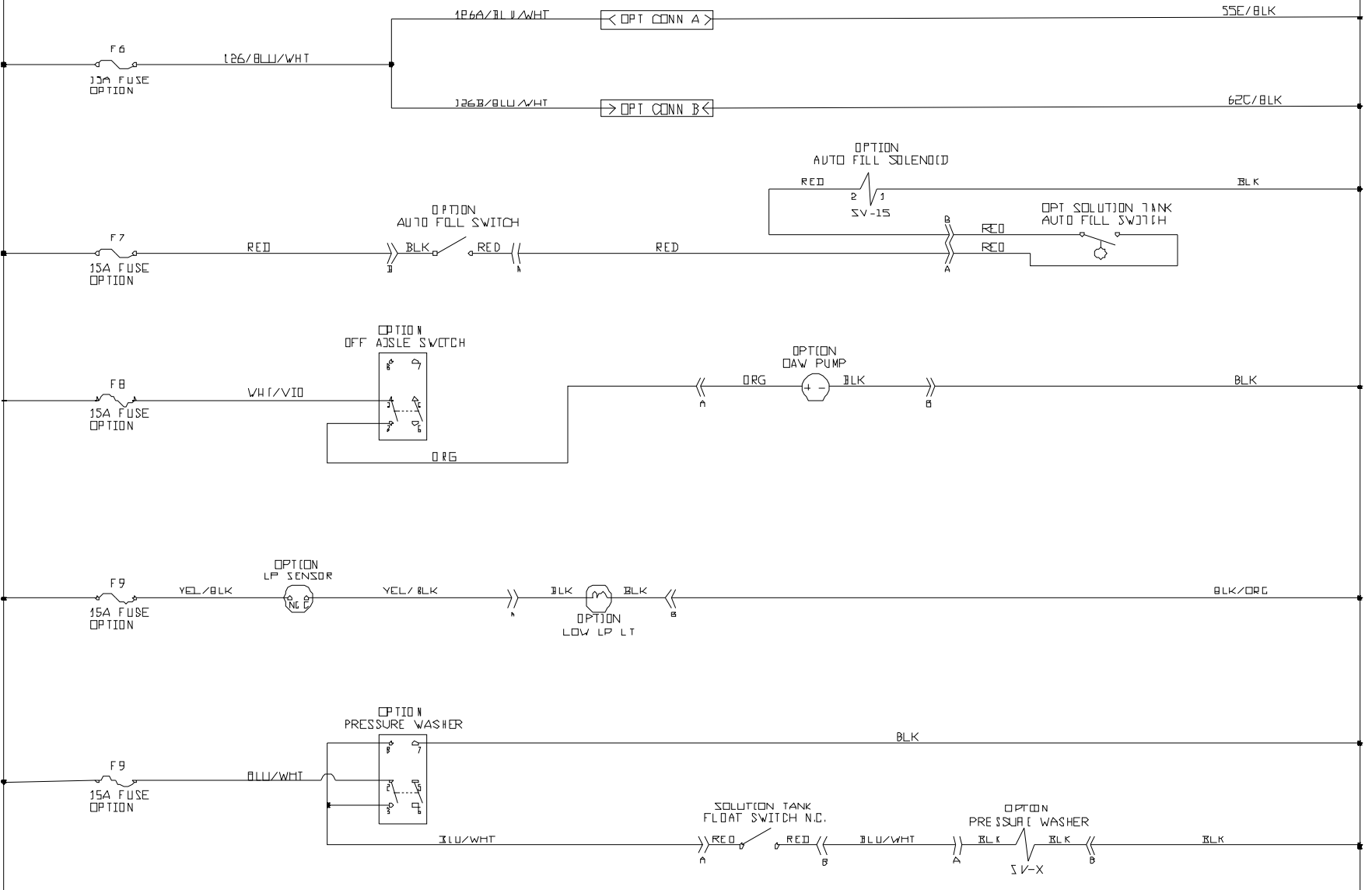


FROM SHEET 2

FROM SHEET 2

5/RED



TO SHEET 4

TO SHEET 4

CONFIDENTIAL

THIS DRAWING AND ALL INFORMATION CONTAINED THEREIN ARE THE EXCLUSIVE PROPERTY OF MINUTEMAN INTERNATIONAL, INC. THIS DRAWING IS NOT TO BE COPIED OR OTHERWISE REPRODUCED WITHOUT EXPRESSED WRITTEN PERMISSION OF MINUTEMAN INTERNATIONAL, INC. IN ADDITION, THIS DRAWING MUST BE RETURNED UPON REQUEST. FURTHER, ALL INFORMATION CONTAINED HEREIN MUST BE MAINTAINED CONFIDENTIAL.

TITLE NAUTILUS_ELECTRICAL_DIAGRAM_3_OF_4		SCALE NTS
MATERIAL N/A		FINISH N/A
TOLERANCES (UNLESS OTHERWISE SPECIFIED)		REMOVE BURRS AND BREAK SHARP EDGES .005/020
0-1" ± 1/16	ODD ± .005	SIZE B
>1-12" ± 1/4"	OD ± .010	DRAWN BY KHH
<12" ± 1/2"	ANGLES ± 30	CHECKED BY JWP
14925 US ROUTE 20 FINCH CROVE, IL 60140		DATE 08/03/15
P.N. 748992-1		DATE 08/03/15
SHEET 3 OF 4		REV A

REV	E.C.N.	DATE	CHANGE	BY	CHK BY
A	MIN-1312B	11/18/15	ADDED HD (SH4) & PRESSURE WASHER	KHH	JWP